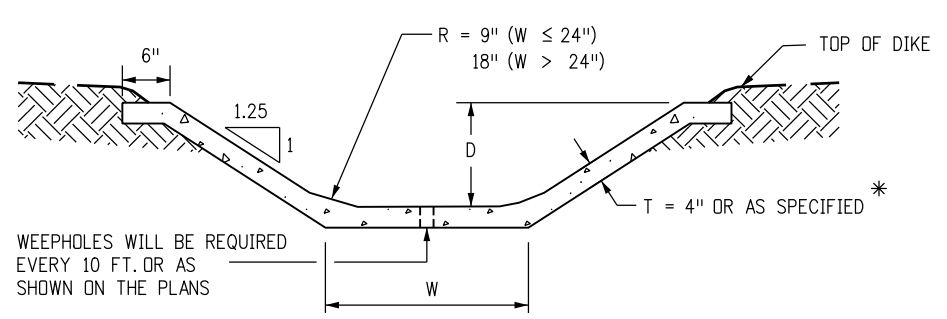


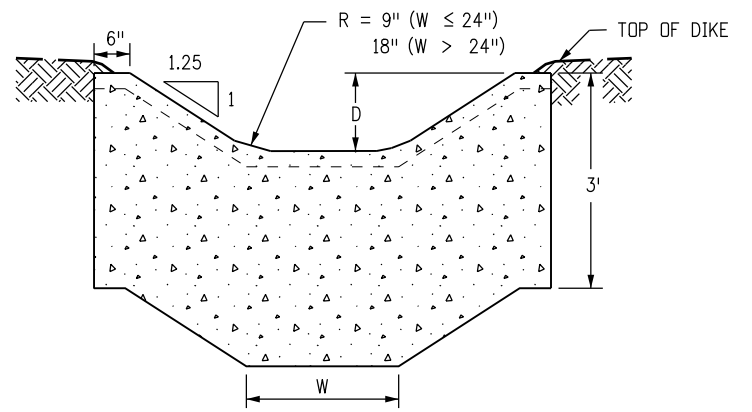
GENERAL NOTES

1. ALL DITCHES SHALL BE CONSTRUCTED TO THE LINES AND GRADES AS SHOWN ON THE PLANS, USING THE DITCH SECTION AS SHOWN ON THE PLANS, OR AS SPECIFIED BY THE ENGINEER.
2. CONCRETE LINING WILL BE PAID FOR AS CONCRETE SLOPE AND DITCH PAVING.
3. PROVIDE A CUTOFF WALL AND RIPRAP AT THE END OF CONCRETE-LINED DITCH.

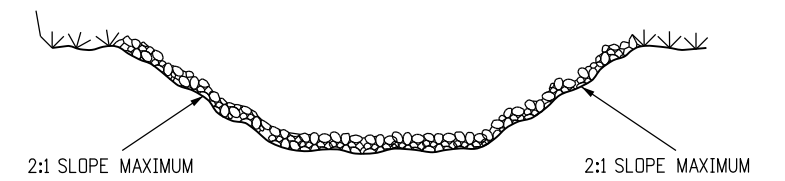


**SECTION A-A
CONCRETE-LINED DITCH**

* FOR SECTIONS WHERE W ≤ 18" AND D ≤ 18" USE T = 3"



**SECTION B-B
CUTOFF WALL**

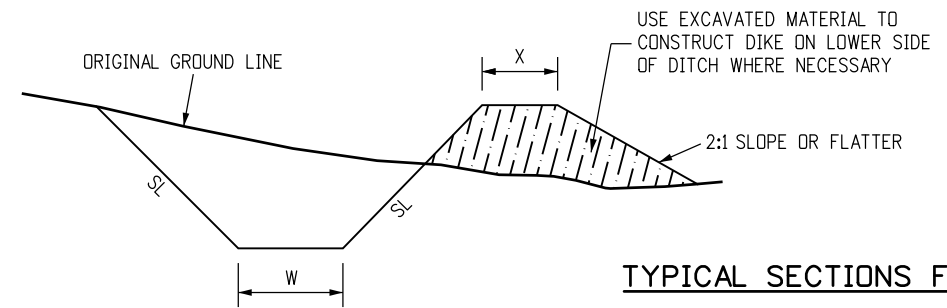


**SECTION C-C
RIPRAP-LINED DITCH**

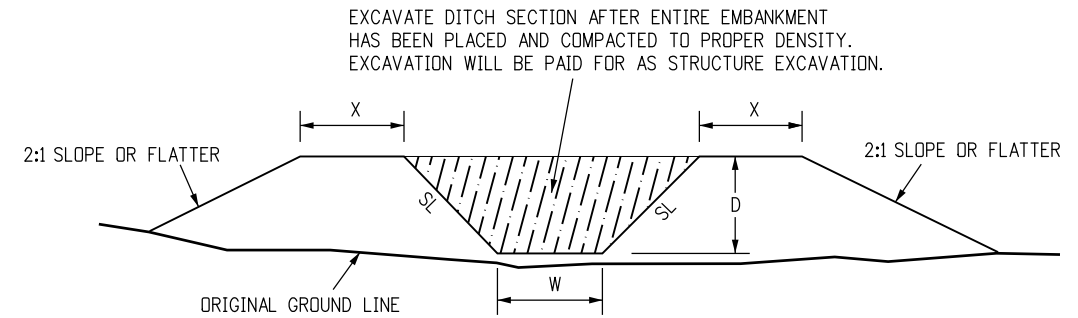
RIPRAP GRADATION SHALL BE AS SPECIFIED IN THE CONTRACT.

D (INCHES)	CU. YDS. PER 100 LIN. FT.				
	W (INCHES)				
	12	18	24	36	48
18	6.3*	6.7*	9.6	10.8	12.0
24	9.9	10.5	11.6	12.8	14.0
30	12.3	12.9	13.5	14.8	16.0
36	14.3	14.9	15.5	16.7	18.0
48			19.4	20.7	21.9

**CONCRETE-LINED DITCH
QUANTITIES**



CUT SECTIONS



TYPICAL SECTIONS FOR DITCHES

NOTE: SEE STRUCTURE NOTES ON THE PLANS FOR DIMENSIONS W, D, AND SL. DIMENSION X = W/2 WITH MINIMUM OF 2 FT. UNLESS OTHERWISE SHOWN ON THE PLANS, W = 1 FT., SL = 2:1 OR FLATTER.

EMBANKMENT SECTIONS

Computer File Information

Creation Date: 07/04/12	Initials: DD
Last Modification Date: 07/04/12	Initials: LTA
Full Path: www.coloradodot.info/business/designsupport	
Drawing File Name: 203020101.dgn	
CAD Ver.: MicroStation V8	Scale: Not to Scale Units: English

Sheet Revisions

Date:	Comments
(R-X)	
(R-X)	
(R-X)	
(R-X)	

Colorado Department of Transportation

4201 East Arkansas Avenue
Denver, Colorado 80222
Phone: (303) 757-9083
Fax: (303) 757-9820

Project Development Branch DD/LTA

DITCH TYPES

Issued By: Project Development Branch July 4, 2012

STANDARD PLAN NO.

M-203-2

Sheet No. 1 of 1